



CONTACT

Quality Leader in
Truck Attachments

- Drum handlers
- Self powered attachments
- Lifting devices and booms
- Wide load handling
- Recycling containers
- Premises cleaning
- Fall prevention cages
- Truck forks



Contact Attachments
Mochdre Industrial Estate
Newtown
Powys
SY16 4LE

tel : 01686 611200
fax : 01686 611201

Roll Forward Skip

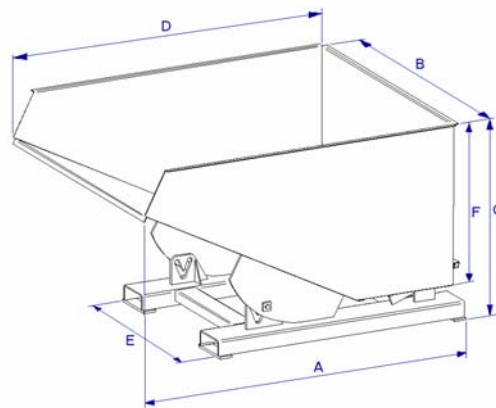
Our Best selling skip, This skip can be used for a wide variety of applications and therefore makes it a popular choice for waste handling.



Use:-

Designed to be placed in production areas, Roll forward Skips keep working areas clear and allow safe and speedy removal of scrap or rubbish to the appropriate skip or waste collector. All CONTACT skips have unique twin locks and simple to operate release mechanism

Model Ref.	Volume	Capacity	A	B	C	D	E	F
RFS25L	0.25m³	1000 kg	1148 mm	794 mm	678 mm	1025 mm	890 mm	547 mm
RFS40L	0.40m³	1000 kg	1410 mm	794 mm	781 mm	1197 mm	890 mm	547 mm
RFS80L	0.80m³	1000 kg	1480 mm	1300 mm	834 mm	1325 mm	890 mm	600 mm
RFS120L	1.20m³	1250 kg	1710 mm	1300 mm	985 mm	1540 mm	890 mm	750 mm
RFS160L	1.60m³	1500 kg	1710 mm	1700 mm	985 mm	1540 mm	890 mm	750 mm
RFS200L	2.00m³	1500 kg	1710 mm	2125 mm	985 mm	1540 mm	890 mm	750 mm



Model Ref.	Weight	C of G Min	C of G Max	Load Centre
RFS25L	100 kg	542 mm	818 mm	595 mm
RFS40L	110 kg	598 mm	899 mm	679 mm
RFS80L	145 kg	667 mm	1042 mm	735 mm
RFS120L	170 kg	756 mm	1145 mm	835 mm
RFS160L	180 kg	768 mm	1178 mm	835mm
RFS200L	225 kg	792 mm	1181 mm	835 mm
RFS25L-HD	150 kg	555 mm	821 mm	595 mm
RFS40L-HD	162 kg	598 mm	899 mm	679 mm
RFS80L-HD	250 kg	673 mm	1048 mm	735 mm
RFS120L-HD	300 kg	762 mm	1151 mm	835 mm
RFS160L-HD	320 kg	774 mm	1184 mm	835 mm
RFS200L-HD	339 kg	798 mm	1187 mm	835 mm

Maximum Fork Size 150 x 65 mm

www.forklift-attachments.co.uk
email : sales@forklift-attachments.co.uk

Optional Extras

- C - Standard Castors
- BC - Braked Castors
- CIC - Heavy Duty Castors
- CIBC - Heavy Duty Braked Castors
- LL - Lifting Lugs
- F - Fork Clamps
- S - Security Chain
- D - Drain Tap
- AR - Auto Retention

Ordering Information :-

- Product to be handled?
- Fork Width & Thickness?
- Fork Spread?
- Truck Capacity?
- Type of Working environment?

Freephone
0800
028 3332

Call now for your personal
quote and further info

